



RLC- DH 1535

- Excellent picture quality in Approx 1.4 Megapixel ,
- 1.3 Megapixel (1280 x 1024) maximum resolution ,
- Three codecs (H.264, MPEG-4, MJPEG) with dual streaming Capability ,
- ICR Day/Night function,
- Alder Series.

HD ONVIF



■ ONVIF

The Open Network Video Interface Forum (ONVIF) is a global and open industry forum which its goal is to facilitate the development and use of a global open standard for the interface of physical IP-based security products. RedLeaf is a member of ONVIF.

■ Power over Ethernet (PoE)

With PoE a single cable to provide both data connection and electrical power to electronic devices. PoE allows for great reductions in installation costs as there is no need to install separate power cables for the camera.

■ The Best Possible Image

It is always important to produce the best possible image considering the environmental conditions. Our expertise is to process the input light by means of a high quality lens, a sensitive image sensor and a powerful

DSP processor to produce a crystal clear output image which is superior to any other solution currently available in the market.

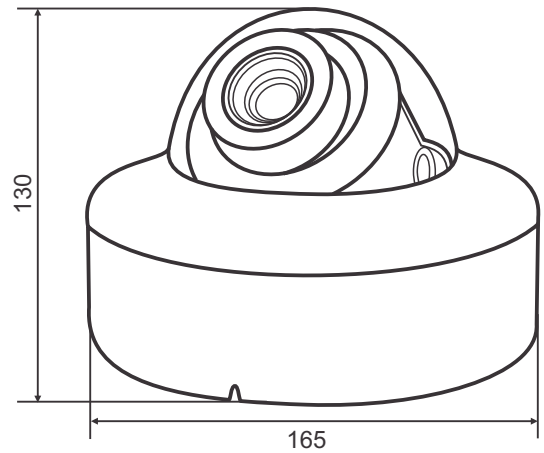
■ Analog Video Output

This old fashioned analog video output helps the installers to quickly and easily apply the required first-run settings to the camera.

■ Vivid Pictures in Darkness

A high percentage of unwanted events happen at night or in low-light conditions. This puts the priority of having a high performance security solution in low light conditions to a very high level. RedLeaf cameras have an unprecedented image quality independent of the lighting conditions, and provide a lucid image at very low lux levels.

RLC-DH 1535



Camera

Image device	1/3-type CMOS
Number of effective pixels	Approx 1.4 Megapixel
Minimum illumination	Color: 0.2 lx , B/W: 0.05lx, 0 lx IR ON
Electronic shutter speed	1/1 to 1/10,000 s
Gain control	Auto/Manual
Focal length	2.8 ~ 8mm
Powered zoom	Yes (easy zoom)
Powered focus	Yes (easy focus)
Exposure control	Full auto, Shutter priority, Iris priority, Manual
White balance mode	Auto, ATW, Indoor, Outdoor, One-push, manual, Sodium vapour lamp
F-number	F 1.6 to F 3.5

Camera features

Day/Night	Yes (IR-cut filter)
WDR+	Yes (90 dB)
Noise reduction	Yes (SDNR)

Image

Codec image size(HxV)	1.3M (1280x1024) / 1.2M (1280x960) / HD (1280x720) D1 (704x576) / CIF (352x288)
Video compression format	H.264, MPEG-4,MJPEG
Codec streaming capability	Dual streaming
Maximum frame rate	30 fps (H.264) / 30 fps(MPEG-4) / 30 fps (MJPEG)

Network

Protocols	IPv4,IPv6,TGP,UDP,ARP,ICMP,IGMP,HTTP,HTTPS,FTP (client/server), SMTP, DHCP, DNS,NTP, RTP/RTCP,RTSP,SNMP (MIB-2)
ONVIF software	Yes (Ver. 2.0)
Number of clinets	20
Authentication	IEEE802.1x

Interface

Local recording	SD memory card x1(compatible with the SD/SDHC standards max 32GB)
Ethernet	10BASE - T/ 100BASE-TX (RJ-45)
sensor input	2
Alarm output	1
Analog video output	Yes 1*BNC (75Ω)

General

Weight	1.05 KG
Dimension(ØxHmm)	165 x 130 mm
Power requirements	PoE
Outdoor	Yes(IP66,IK10)
Operating temperature	-15°C~60°C
Safety regulation	UI2044, FCC 158 Class A, IC Class A,IEC60950-1, EN55022(A)+EN55024+EN50130-4, VCCI Class A, C-Tick class A

System Requirements

Operating system	Windows XP™ - Professional Edition Windows Vista™ (32/64bit) - Ultimate, Business Edition Windows 7 (32/64bit) - Ultimate, Professional Edition Windows 8 (32/64bit) – Pro Edition
Processor	Intel Core2 Duo 2.33 GHz Or higher
Memory	2GB or more
Web browser	Microsoft Internet Explorer® Ver. 6.0 and higher Google Chrome® Ver.4.0 and higher (Plug-in free viewer only) Firefox® Ver.3.5 and higher (Plug-in free viewer only) Safari® Ver.4.0 and higher (Plug-in free viewer only)